

**TO GUARANTEE THE SAFE USE OF THIS PRODUCT FOLLOW THE WARNINGS,
GUIDELINES AND RECOMMENDATIONS IN THIS MANUAL:**

IMPORTANT! WARNINGS!

- **CAUTION!** NEVER LEAVE THE CHILD UNATTENDED!
- **CAUTION!** THIS TOY HAS NO BRAKE!
- **CAUTION!** THIS TOY IS NOT SUITABLE FOR CHILDREN UNDER 18 MONTHS AND WEIGHT MORE THAN 25kg. DO NOT OVERLOAD!
- **CAUTION!** DO NOT USE THE TOY FOR CHILDREN ABOVE 36 MONTHS OF AGE!
- **CAUTION!** THIS PRODUCT IS NOT A TRANSPORT MEANS!
- **CAUTION!** DO NOT USE ON ROAD LANES!
- **CAUTION!** KEEP AWAY FROM FIRE!
- **CAUTION!** BEFORE USE, CHECK THE GOOD WORKING ORDER AND FIXING OF ALL PARTS. Do not use the product if you find there are missing or damaged parts!
- **CAUTION!** TO AVOID THE DANGER OF INJURY, REMOVE PARENT PUSHBAR AND FOOT REST, ONCE YOUR CHILD CONTROLS THE TOY BY ITSELF.
- **CAUTION!** WHEN YOU DIRECT THE RIDE ON CAR BY THE PARENT PUSHBAR ALWAYS USE THE FOOT REST TO AVOID HURTING THE CHILD'S FEET!
- Use for children from 18 up to 36 months!
- Do not use for two children at the same time!
- Adult assembly only!
- The child must wear shoes when using the toy! It is advisable to use helmet and protectors.
- No running or skating when pushing the ride on car with child in it.
- Use only during the day and in places with good lighting.
- Do not let children touch the wheels or stand close to them while the ride on car is moving!
- If there are stickers going off, you must stick them back or remove them to avoid children swallowing them.
- Do not use the product if you find missing or damaged parts!
- Do not use spare parts or other components, which are not supplied by the producer! The producer revokes all responsibility in case parts different from the original ones have been used.
- Do not make changes or modifications to the structure! If necessary, contact the retailer or an authorized service center for advice and repair.
- Use the product only for its purpose!
- Do not allow presence of children under 3 years before assembly of the product is complete, to avoid access to small or loose parts!
- Do not tie strings or accessories to the product in order to avoid the risk of suffocation.
- Use only on even playgrounds and at a safe distance from streets or road lanes for vehicles!
- Do not use the product near stairs, escalators, protrusions, swimming pools etc.!
- Keep nylon packages away from children to avoid risk of suffocation!

IMPORTANT! WARNINGS AND GUIDELINES FOR BATTERY USE

- After inserting batteries, always secure the battery compartment with the cover.
 - Do not allow children to access or play with the batteries!
 - Use only batteries of the designated type and power.
 - Do not use batteries of different types.
 - Do not mix new with used batteries.
 - Follow the designated polarity in the battery compartment.
 - Remove damaged or worn out batteries.
 - Remove the batteries when the product will not be used for long time.
 - Do not throw the batteries in open fire. Do not take the batteries to pieces.
- **CAUTION!** Waste from depleted or unusable batteries must be disposed of separately. It is forbidden to throw them out in containers for household waste. Dispose of the batteries only at the specified places.



PRODUCT FEATURES

- This toy is intended for a child aged from 18 up to 36 months and weighing up to 25 kg!
- When the child is sitting in it, the ride on car can be propelled by the child's feet or it can be pushed by the handle.
- Armrest guard rail.
- Footrest.
- Steering wheel with horn and music.
- Parent handle.
- Batteries, 2 pcs, type AA/1,5V. Batteries are not included.

MAIN PARTS



1. Body
2. Backrest
3. Steering wheel
4. Element for front wheel fixing
5. Seat
6. Front wheels set
7. Parent handle
8. Guiding rod
9. Screws
10. Guards
11. Foot rest (not shown in figure)
12. Rear wheels set (not shown in figure)

Please make sure all the parts are available.

ASSEMBLY GUIDELINES AND FUNCTIONS

1. ASSEMBLY OF FRONT WHEELS.

Set the car upside down and place the set of front wheels, as figure shows.

2. ASSEMBLY OF ELEMENT FOR FRONT WHEELS FIXING.

Fix with screws.

3. ASSEMBLY OF REAR WHEELS.

4. INSTALLATION OF GUIDING ROD.

5. ASSEMBLY OF SEAT.

6. ASSEMBLY OF STEERING WHEEL.

Note: Openings of steering wheel and guiding rod must match. Fix the steering wheel with screw and nut.

7. ASSEMBLY OF SEAT.

8. ASSEMBLY OF GUARDS.

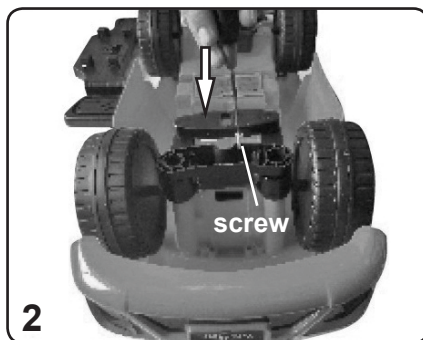
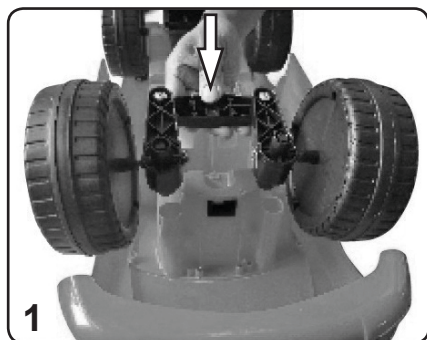
- 8-1 – Place each of the guards to the seat (1)
Rotate the guard towards the steering wheel (2)
8-2 – Press to the steering wheel to fix it (3)

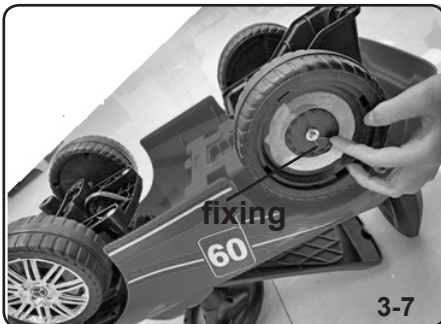
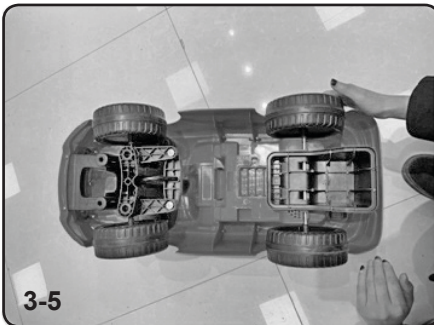
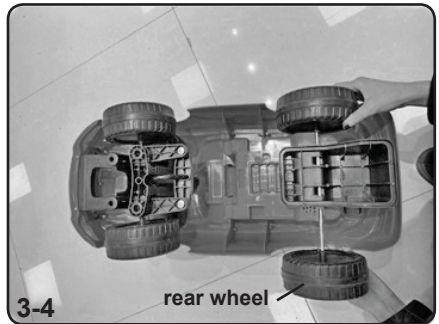
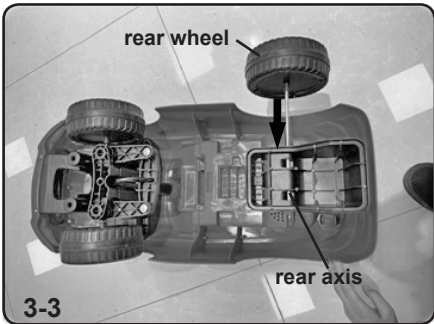
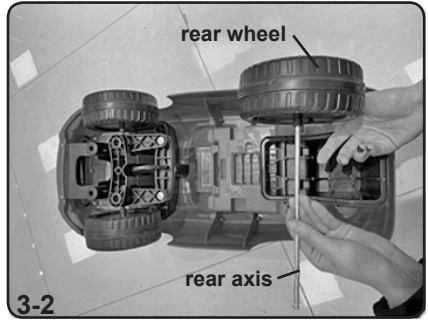
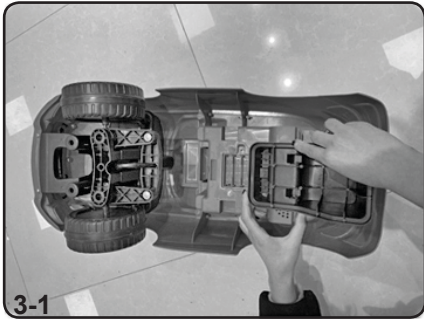
9. ASSEMBLY OF FOOT REST.

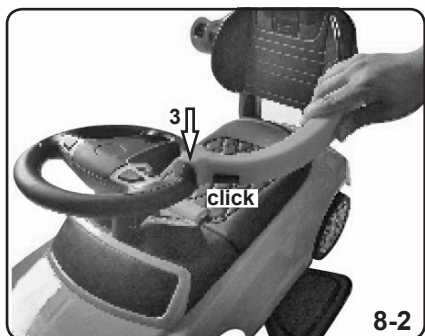
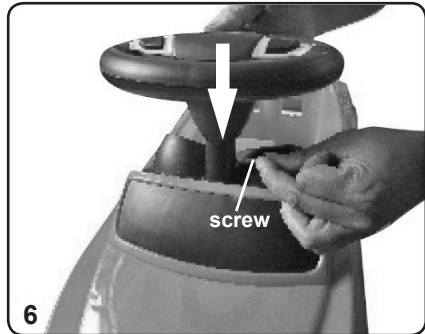
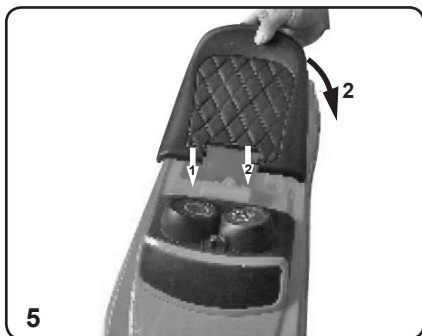
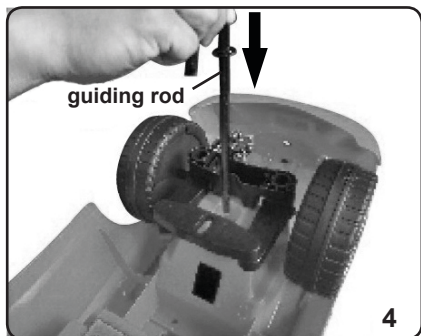
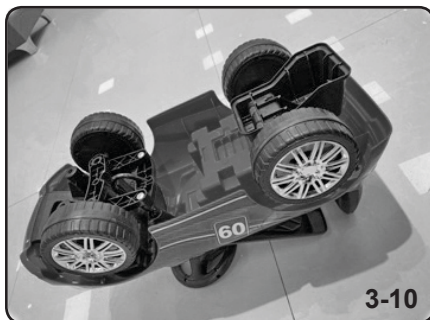
Set the car upside down and insert the foot rest into the openings until you hear a click sound.

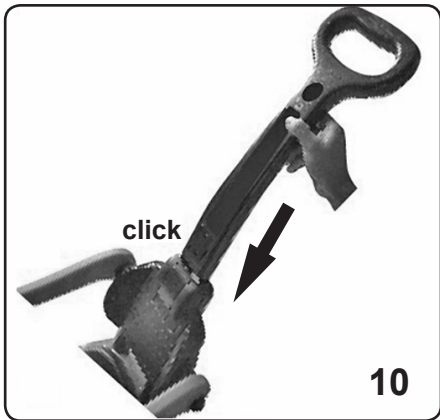
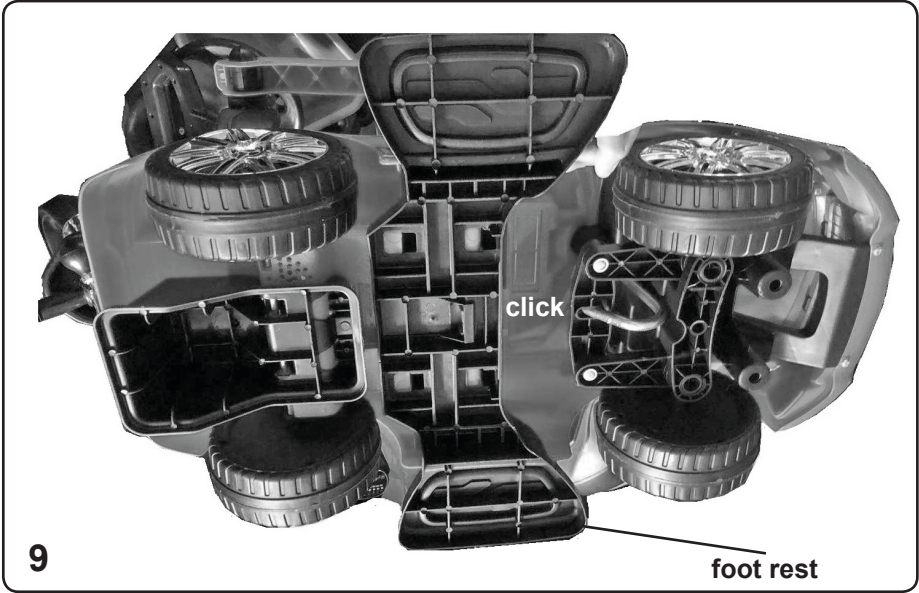
10. ASSEMBLY OF PARENT HANDLE.

11. CORRECTLY ASSEMBLED TOY.

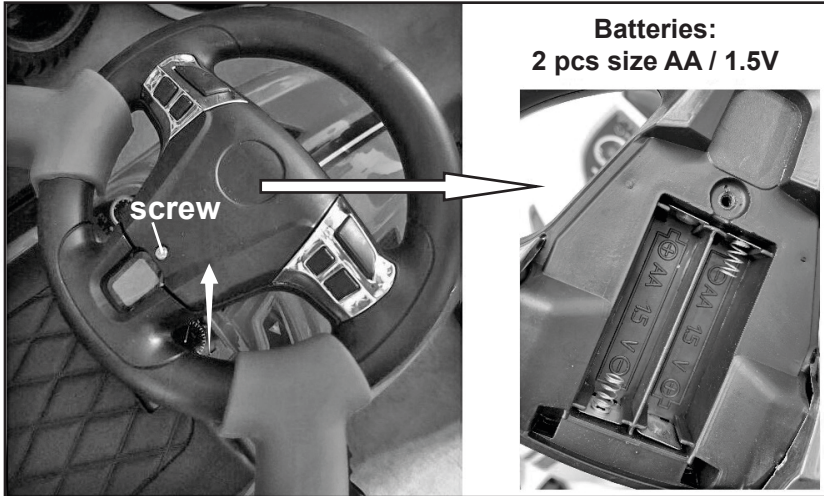








BATTERIES



The battery compartment is located on the steering wheel.

1. Unscrew the cover of battery compartment;
2. Remove it;
3. Install two batteries of size AA/1,5V;
4. Place the cover on the battery compartment and fix it with the screw.

CAUTION! Follow the designated polarity in the battery compartment!

FUNCTIONS

1 – STEERING WHEEL WITH MELODIES AND SOUNDS

Press the buttons at both sides of steering wheel to play melodies and sounds.

2 – PARENT HANDLE AND FOOT REST



Producer: Produced for Chipolino in PRC
Importer: CHIPOLINO LTD., 1 Goliakonarsko Shosse Str,
Plovdiv, BULGARIA; tel.: +359 32 600 889;

www.chipolino.com